

Roof Hatch, manual emergency exit hatch

## ▶ Glass Hatch VISION



### Hatches / Fans

#### Design Glass Hatch with super performance

The Glass Hatch Vision is designed to give the manufacturer and the operator all possible advantages available in a Glass Hatch. Vision is a very attractive looking hatch with features that are by far more enhanced than the existing products on the market.

The mounting of the hatch is fast and easy and ensures best fitting from a radius of 6000 to infinity thanks to a curvature of 8000 of the dark tinted glass and the outer aluminum frame. In addition, the glass hatch Vision is only 25 mm high from the roof surface when closed and the manual hatch weighs only 12.3 kg.

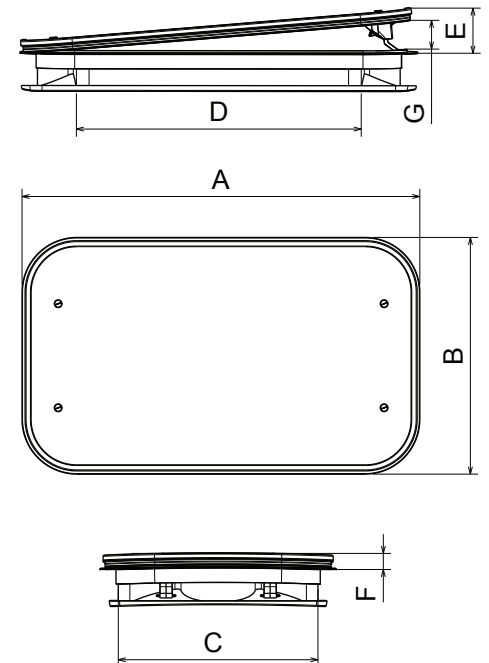
## ► Glass Hatch VISION

On the contrary to a flat glass the 8000 radius of the glass makes it very strong and eliminates the vibration. The new unique patented HMM-mechanism gives a ventilation opening of 80 mm is far more than what traditional hatches offer. No special tooling is needed for the replacement of the components. All service operations can be carried out from inside the bus.

The Vision Hatch has an integrated emergency solution. As an add-on the product can be purchased with an internal, integrated emergency exit solution, making emergency hammers useless. Releasing the mechanism does not break the glass.

### Highlights:

- Cut-off size 530 x 970
- Mass basic hatch: 12.3 kg
- Quick mounting by gluing
- Very low 25 mm profile
- Grey tinted thermo insulation glass
- Patented opening mechanism
- Maximum 80 mm ventilation
- Excellent air flow
- UN ECE R.107 rev. 4 Emergency Exit
- UN ECE R.118 Flammability
- UN ECE R.10 EMC
- FMVSS approved (North America)
- Also available in electric version



		A	B	C	D	E	F	G
Technical specifications:	Dimensions of Roof opening (mm)	Length of dome	Width of dome	Inner width	Inner length	Height (open)	Height (closed)	Opening
VISION	530 x 970	1035	615	512	733	112	25	80